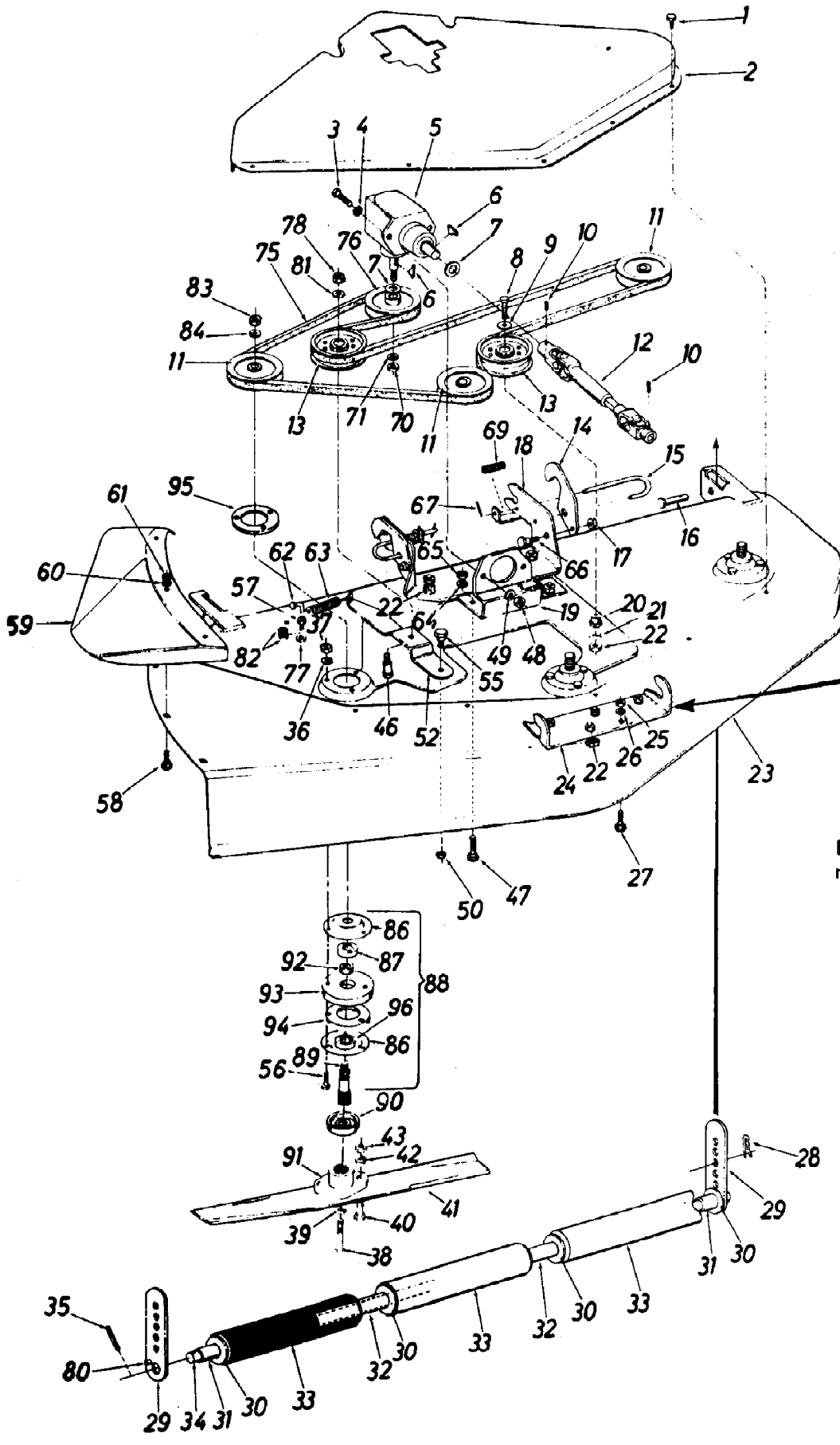
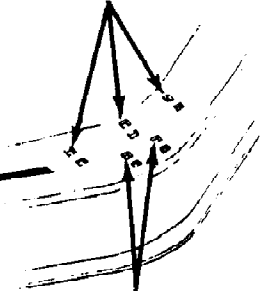


195-993-190 50" Mowing Deck (1985)
50" Mowing Deck



NOTE:
Front Deck Hanger Bracket must be mounted in holes to the rear.



NOTE:
Front Deck Hanger Bracket must be mounted in holes to the rear.

195-993-190 50" Mowing Deck (1985)
50" Mowing Deck

Page 2 of 5

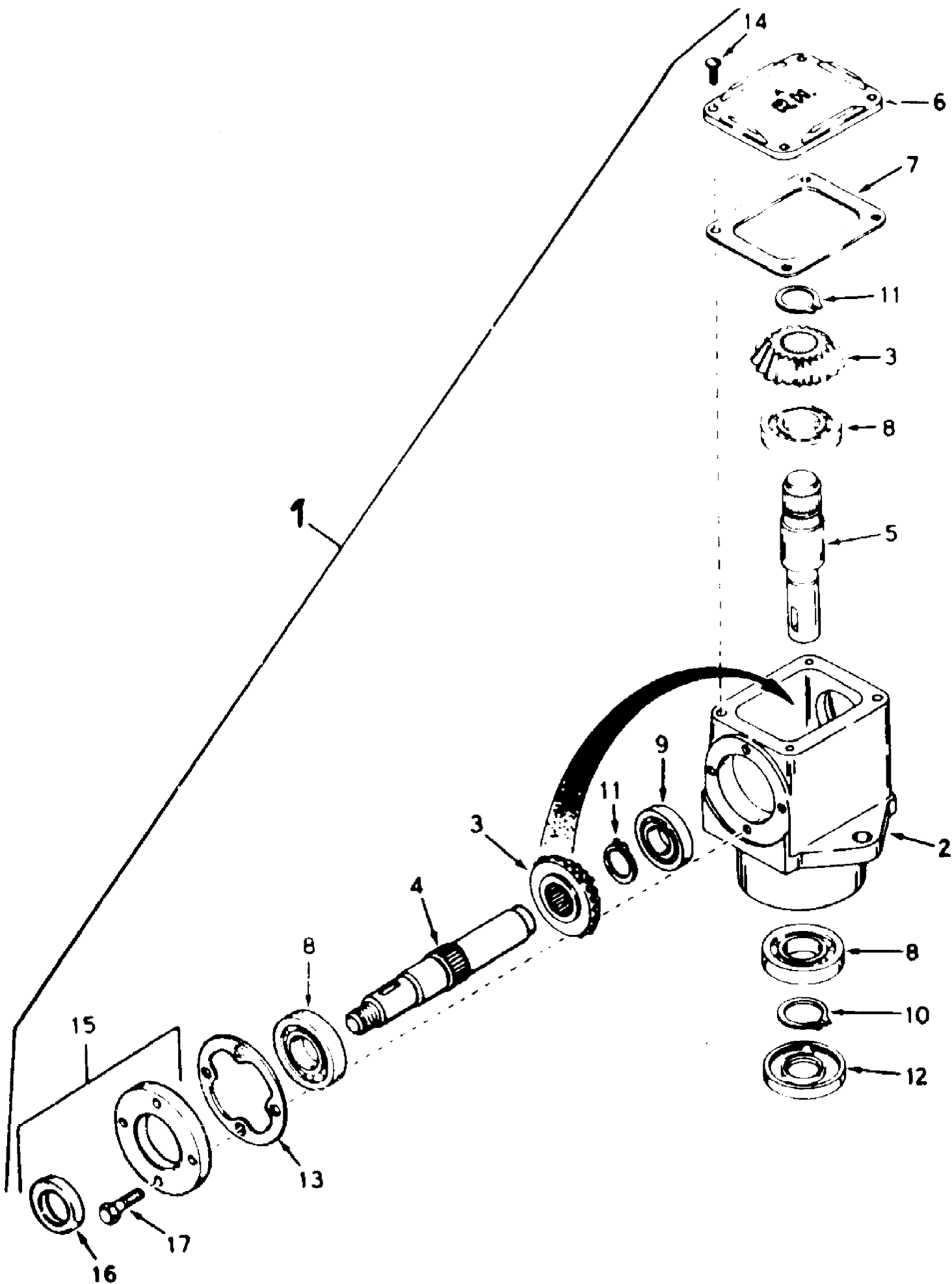
Ref #	Part Number	Qty	S/P/F	Description
1	710-0352	10	/P	Hex B Tap Scr. 1/4-20 x .38" Lg.
2	12651	1		Belt Cover
3	710-0342	1	S	Hex Scr. 3/8-16 x 1.25" Lg.
4	736-0148	1		Ext. L-Wash. 3/8" Scr.*
5		1		Right Angle Drive
6	714-0126	1	S	#9 Hi-Pro Key 3/16 x 3/4" Dia.
7	736-0181	1		Fl-Wash. 29/32 I.D.
8	710-0756	1		Hex Scr. 3/8-16 x 2.25" Lg.*
9	736-0300	1	S	Fl-Wash. 3/8" I.D.
10	710-0357	1		Sq. Hd. Set Scr. 3/8-16 x .50" Lg. Cup
11	756-0355	1	S	Deck Pulley
12	717-0401	1		Universal Drive Shaft Ass'y.
	717-0439	1		Universal Drive Male Half
	717-0440	1		Universal Drive Female Half
13	711-0306	1	/P	Deck Idler Pulley
14	12564	1		Hanger Lock
15	747-0160	1		Release Pin
16	711-0310	1	S	Clevis Pin .500 Dia.
17	712-0158	1	S	HexCent. L-Nut 5/16-18 Thd.
18	12648	1		Rear Deck Hanger Brkt.
19	13705	1		Gear Box Mounting Brkt. Ass'y.
20	711-0656	1		Idler Adapter
21	736-0169	1	S	L-Wash. 3/8" Scr.*
22	712-0798	1	/P	Hex Nut 3/8-16" Thd.*
23	12640	1		Deck Ass'y. 50"
24	12646	1	S/F	Front Deck Hanger Brkt.
25	712-0267	1	S	Hex Nut 5/16-18
26	736-0119	1	S	L-Wash. 5/16" Scr.*
27	710-0276	1	/P	Carriage Bolt 5/16-18 x 1.00" Lg.*
28	714-0101	1	S	Internal Cotter Pin
29	12650	1		Height Adjuster
30	736-0188	1	/P	Fl-Wash. .75 I.D. x 1.5 O.D.
31	750-0212	1	S	Spacer .758 I.D. x 1.25 O.D. x .530
32	750-0288	1	S	Spacer Tube
33	731-0335	1		Roller
34	738-0295	1		Roller Shaft
35	715-0246	1	S	Roll Pin 3/16 x 1.25
36	736-0119	1	S	L-Wash. 5/16" Scr.*
37	712-0237	1	S	Hex Cent. L-Nut 5/16-24 Thd.
38	710-0180	1	/P	HexScr. 3/8-24 x .75" Lg. Thd. Rolling
39	736-0217	1	S	L Wash. 3/8" Scr. H.D.
40	710-0888	1	/P	Hex Scr. 5/16-24 x 1.00" Lg.
41	742-0171	1	S	Blade 17"
42	736-0119	1	S	L-Wash. 5/16" Scr.*
43	712-0237	1	S	Hex Cent. L-Nut 5/16-24 Thd.
46	710-0312	1		Hex Scr. 5/8-18 x 1.31" Lg.
47	710-0451	1	/P	Carriage Bolt 5/16-18 x .75"
48	712-0798	1	/P	Hex Nut 3/8-16 Thd.*
49	736-0169	1	S	L-Wash. 3/8" Scr.*
50	712-0290	1	/P	Hex Cent. L-Nut 7/16-14
52	09489	1		Deck Spring Idler Brkt.
55	738-0163	1		Shld. Scr. .625" Dia. x .260
56	710-0624	1		Hex Scr. 5/16-24 x 1.50" Lg. (Grade 5)

195-993-190 50" Mowing Deck (1985)
50" Mowing Deck

Page 3 of 5

Ref #	Part Number	Qty	S/P/F	Description
57	712-0287	1	S	Hex Nut 1/4-20 Thd.*
58	710-0451	1	/P	Carriage Bolt 5/16-18 x .75" Lg.*
59	12649	1		Chute Guard
60	736-0119	1	S	L-Wash. 5/16" Scr.*
61	712-0267	1	S	Hex Nut 5/16-18 Thd.*
62	711-0152	1		Hook Bolt
63	732-0180	1	S	Extension Spring
64	736-0119	1	S	L-Wash. 5/16" Scr.
65	712-0267	1	S	Hex Nut 5/16-18 Thd.*
66	738-0296	1	S	Shld. Scr.
67	715-0129	1		Roll Pin 1/8" Dia.
69	732-0306	1	S	Compression Spring
70	712-0923	1	/P	Hex Cent. L-Nut 5/8-18 Thd.
71	736-0158	1	S	L-Wash. 5/8" Scr.*
75	754-0197	1	S	"V"-BeltASect. 117" Lg.
76	756-0318	1	S	Drive Pulley
77	712-0107	1	S	Hex Cent. L-Nut 1/4-20 Thd.
78	712-0923	1	/P	Hex Cent. L-Jam Nut 5/8-18 Thd.
80	715-0108	1	/P	Spring Pin Spiral 1/4" Dia. 1.00" Lg.
81	736-0187	1	/P	Fl-Wash 62" I.D.
82	736-0222	1	S	Ext. L-Wash. 1/4" Scr.*
83	712-0318	1	/P	Hex Jam Nut 5/8-18 Thd.
84	736-0158	1	S	L-Wash. 5/8" I.D.*
86	08253	1	S	Bearing Housing
87	741-0919	1	S	Ball Bearing
88	14199	1		Deck Spindle Ass'y.
89	738-0469	1	S	Spindle
90	13703	1		Bearing Shield
91	748-0283	1	S	Blade Adapter
92	750-0456	1	S	Spacer
93	14088	1	S	Spindle Spacer Plate
94	09164	1	S	Reinforcement Plate
95	14249	1		Spindle ReinforcementPlate
96	15296	1	S	Open Bearing Housing

195-993-190 50" Mowing Deck (1985)
Right Angle Drive Box (Peerless)



195-993-190 50" Mowing Deck (1985)
Right Angle Drive Box (Peerless)

Page 5 of 5

Ref #	Part Number	Qty	S/P/F	Description
1	PE-794111	1		Head Ass'y. R.H. (Incl. Nos. 2 thru 15)
2	PE-770026	1		Housing, Right Angle Drive
3	PE-778046	1		Gear, Miter
4	PE-776149	1		Shaft, Input
5	PE-776129	1		Shaft, Output
6	PE-772034	1		Cover, Right Hand
7	PE-788028	1		Gasket, Cover
8	PE-780034	1		Bearing, Ball
9	PE-780024	1		Bearing, Ball
10	PE-788019	1		Ring, Snap
11	PE-788018	1		Ring, Snap
12	PE-788029	1		Seal, Oil
13	PE-788030	1		Gasket, Cap
14	PE-792025	1		Screw, Rd. Hd. Self Tap., 10-24 x 1/2
15	PE-786029	1		Cap & Seal Ass'y., Retainer (Incl. Nos. 16 & 17)
16	PE-788031	1		Seal, Oil
17	PE-792026	1		Screw, Hex Hd. 1/4-20 x 7/8